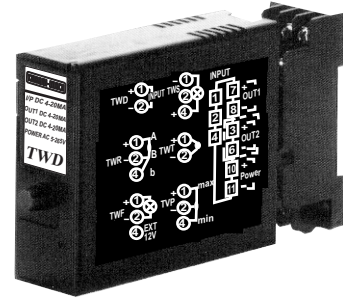


## FEATURES

- 2 Inputs / 2 Outputs User Selectable
- High Accuracy 0.1% RO at 23°C ± 5°C
- Aux. Power AC 85 ~ 265V or DC 85 ~ 300V
- PC Plastic Case, DIN Rail or Wall Mounting
- High Dielectric Strength (AC 2KV/ Min, between Input/Output/Power)



## MODEL: TW2D

INPUT 1		INPUT 2		OUTPUT 1		OUTPUT 2		AUX. POWER	
A	DC 0 ~ 10mA	A	DC 0 ~ 10mA	A	DC 0 ~ 10mA	A	DC 0 ~ 10mA	C	DC 22 ~ 72V
B	DC 0 ~ 20mA	B	DC 0 ~ 20mA	B	DC 0 ~ 20mA	B	DC 0 ~ 20mA	F	AC/DC 85 ~ 265V
C	DC 4 ~ 20mA	C	DC 4 ~ 20mA	C	DC 4 ~ 20mA	C	DC 4 ~ 20mA		
D	DC 0 ~ 5 V	D	DC 0 ~ 5 V	D	DC 0 ~ 5 V	D	DC 0 ~ 5 V		
E	DC 1 ~ 5 V	E	DC 1 ~ 5 V	E	DC 1 ~ 5 V	E	DC 1 ~ 5 V		
F	DC 0 ~ 10V	F	DC 0 ~ 10V	F	DC 0 ~ 10V	F	DC 0 ~ 10V		
Y	OTHER	Y	OTHER	Y	OTHER	Y	OTHER		

## SPECIFICATION

**Accuracy :** 0.1%RO at 23°C ± 5°C

**Input Impedance :** Voltage Input ≥1MW , Current Input ≤50

**Insulation Resistance :** ≥100M / DC 500V

**Output Load :** DC Current Mode : > 500 in Output 20mA , DC Voltage Mode : 10mA Maximum

**Dielectric Strength :** AC 2000V / Min , between Input / Output / Power.

**Input Protection :** ≥2V DC ≤300V rms Continuous ; ≤2V DC ≤150V rms Continuous ; ≤20mA DC ≤ 150mA Continuous

**Linearity & Repeatability :** ≤0.1% Typical.

**Common Mode Rejection :** ≥120db DC to 60Hz

**Stability :** ≤0.2% / Year.

**Response Time :** ≤400 mS

**Ripple :** ≤0.1% rms RO

**Temperature Coefficient :** ≤100ppm / °C From 0 ~ 60°C ; ≤50ppm / 25°C ± 5°C

**Operation Condition :** -5°C ~ +55°C 20 ~ 95% RH Non-Condensed.

**Storage Condition :** -10°C ~ +70°C 20 ~ 95% RH Non-Condensed.

**Power Fluctuation Rate :** Power Could Support AC 85 ~ 265V or DC 24V ± 10%

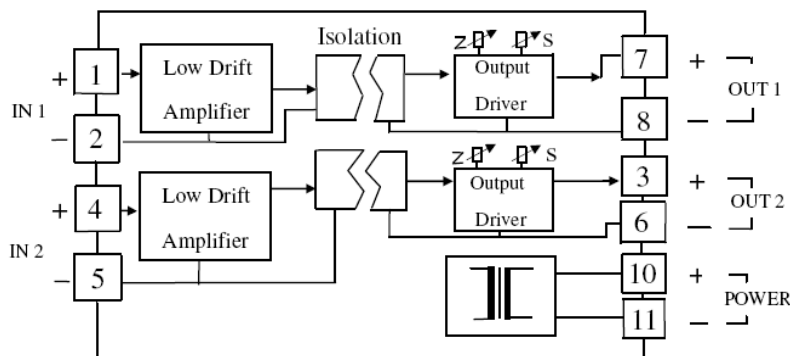
**Aux. Power Effect :** ≤0.03% / V

**Housing Material :** Non-Combustible PC Products , Compliance With UL 94 CLASS V-0

**Mounting :** DIN Rail or Wall Mounting

**Dimension :** 27 W x 119 H x 70 L mm (Base)

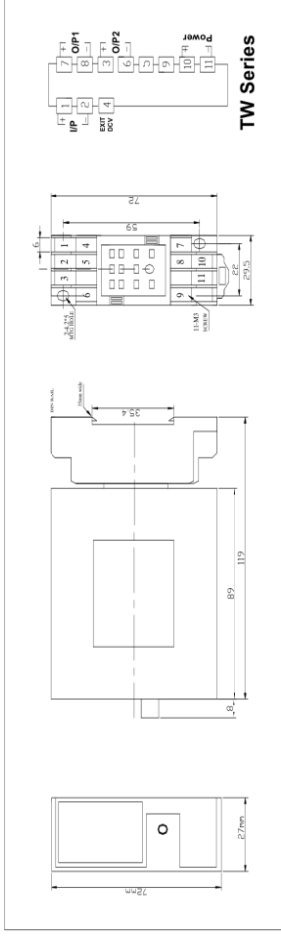
## SCHEMATIC CIRCUITRY & CONNECTION DIAGRAM :



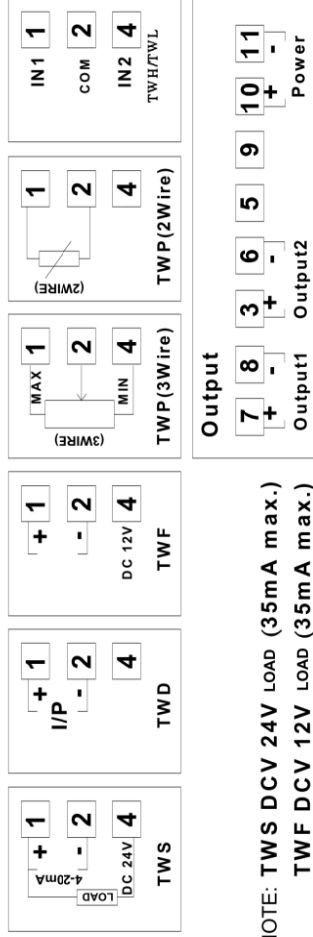
All Specifications are subject to change without prior notice.

# TW Series Transmitter Manual

## □ Dimension / Terminal Layout / Connection Diagram

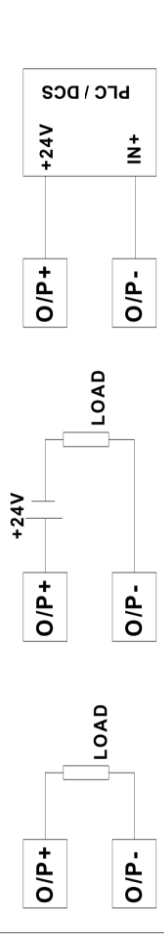


## □ Connection Diagram

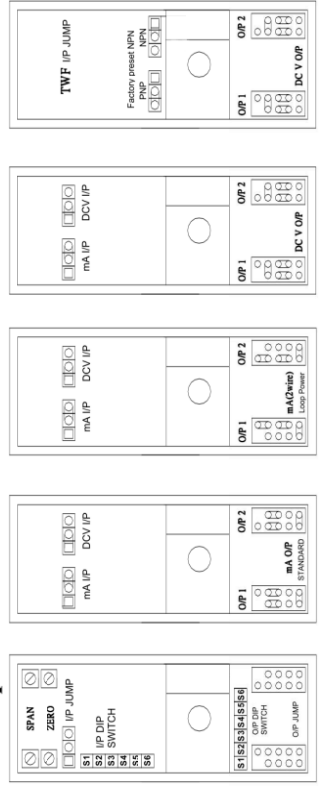


## DC 4-20mA Output Modes:

Mode 1: Stabard output    Mode 2: Loop Power (2Wire)



## □ Jump



## □ Dip Switch Instruction

- This unit is calibrated at the factory to meet the ordered specifications , usually it doesn't need any calibration.
- After you change the dip switch , the accuracy will be  $\geq 1\%$ ,so we recommend you re-calibrate the product.
- Dip switch is only applicable to products with standard input and output signals.

INPUT DIP SWITCH						OUTPUT DIP SWITCH					
S1	S2	S3	S4	S5	S6	S1	S2	S3	S4	S5	S6
0-20mA	ON	ON	OFF	ON	OFF	0-20mA	ON	ON	OFF	ON	ON
4-20mA	OFF	ON	OFF	ON	ON	4-20mA	OFF	OFF	ON	ON	ON
0-5V	ON	ON	ON	OFF	OFF	0-5V	ON	ON	ON	ON	OFF
1-5V	ON	OFF	ON	OFF	ON	1-5V	ON	ON	ON	OFF	ON
0-10V	ON	ON	OFF	ON	OFF	0-10V	ON	OFF	ON	OFF	OFF

## □ Calibration Instruction

Please calibrate the signal with standard signal source and follow below steps.

1. Warm up the unit for at least 10 minutes.
2. ZERO: Apply 0% input signal and adjust output to 0% of corresponding signal.  
(If input signal is 0-5V,0-10V or 0-20mA, please apply 10% input signal to calibrate )
3. SPAN: Apply 100% input signal and adjust output to 100% of corresponding signal.

## □ Maintenance

1. Warm up the unit for at least 10 minutes.
2. Apply 0%, 25%, 50%, 75% and 100% input signal and check the corresponding output signal respectively.
3. If the output accuracy is out of the range, please calibrate the product referring to above calibration instruction.