

MMWH Watthour Digital Meter



An ISO 9001:2008 Company

FEATURES

- Suitable for 1 ϕ 2W / 1 ϕ 3W / 3 ϕ 3W / 3 ϕ 4W system
- Size: 96 W x 48 H x 100 D (mm)
- 8 digits display: ± 99999999 Count
- RS-485 Modbus RTU output
- Dual pulse output(Secondary value)
- Bi-direction measurement and display



FUNCTION SELECTION

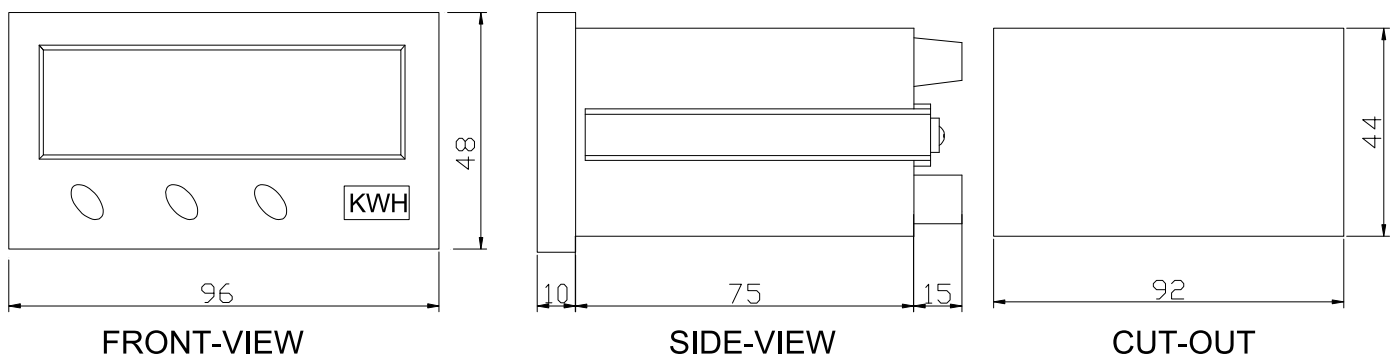
MMWH - code1 code2 code3 code4 code5 code6

CODE 1	CODE 2	CODE 3	CODE 4	CODE 5	CODE 6						
INPUT VOLTAGE	INPUT CURRENT	INPUT FREQUENCY	OUTPUT 1	OUTPUT 2	AUX. POWER						
1	55-440V(L-L)	1	1A	1	50 HZ	1	Dual Pulse	1	RS-485	3	DC 22~72V
		2	5A	2	60 HZ				ModbusRTU	6	AC/DC85~265V
						0	None	0	None		
Y	Other	Y	Other	Y	Other	Y	Other	Y	Other	Y	Other

SPECIFICATIONS

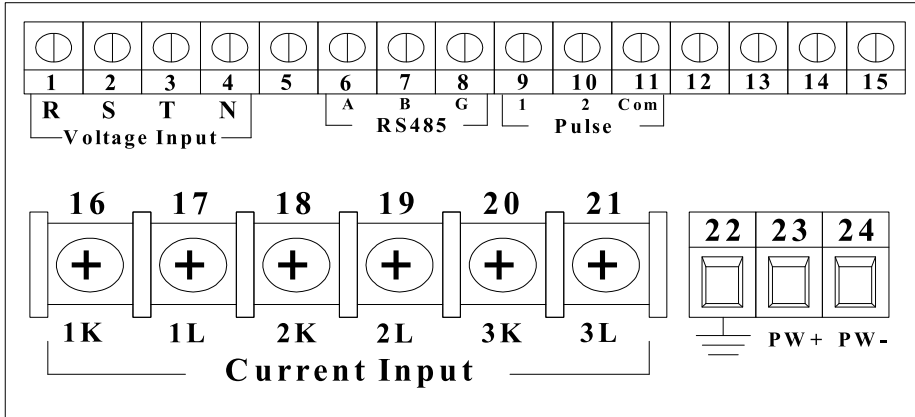
Accuracy	: $\pm 0.5\%$ RD at 23°C $\pm 3^\circ\text{C}$.	Pulse output	: Dual pulse output Corresponding to +WH / -WH 1WH 1/10/100/0.1/0.01Pulse
Display Range	: 0.4" high brightness red LED 8 digits display:: ± 99999999	Dielectric Strength	: 2.0KV 50/60HZ AC / Min Between Input / Power / Case.
Input Range	: Input 55~440V(L-L) (Max: 500V L-L) Normal Current 5A, Effective Range 0~6A. Normal Current 1A, Effective Range 0~1.5A.	Power Supply	: AC 85~265V 50 / 60Hz DC 100~300V
Input Frequency	: 45~70HZ	Dimension	: 96 W X 48 H X 100 D mm.
Input Over	: Normal AC 5A, Current Over 15A Continuous Normal AC 440V, Voltage Over 600V Continuous	Cut-out	: 92W x 44H < mm >
Digital Output Load	: RS-485 MODBUS RTU	Mounting	: Panel Flush Mounting
Baudrate	: 2400.4800.9600.19200.38400.57600	Housing Material	: ABS Plastic, Self-Extinguishing
Address	: 1~255	Operating Condition	: -10°C~55°C 20 ~ 95% RH Non-Condensed.
		Storage Condition	: -40°C~75°C 20 ~ 95% RH Non-Condensed.

SIZE (mm)



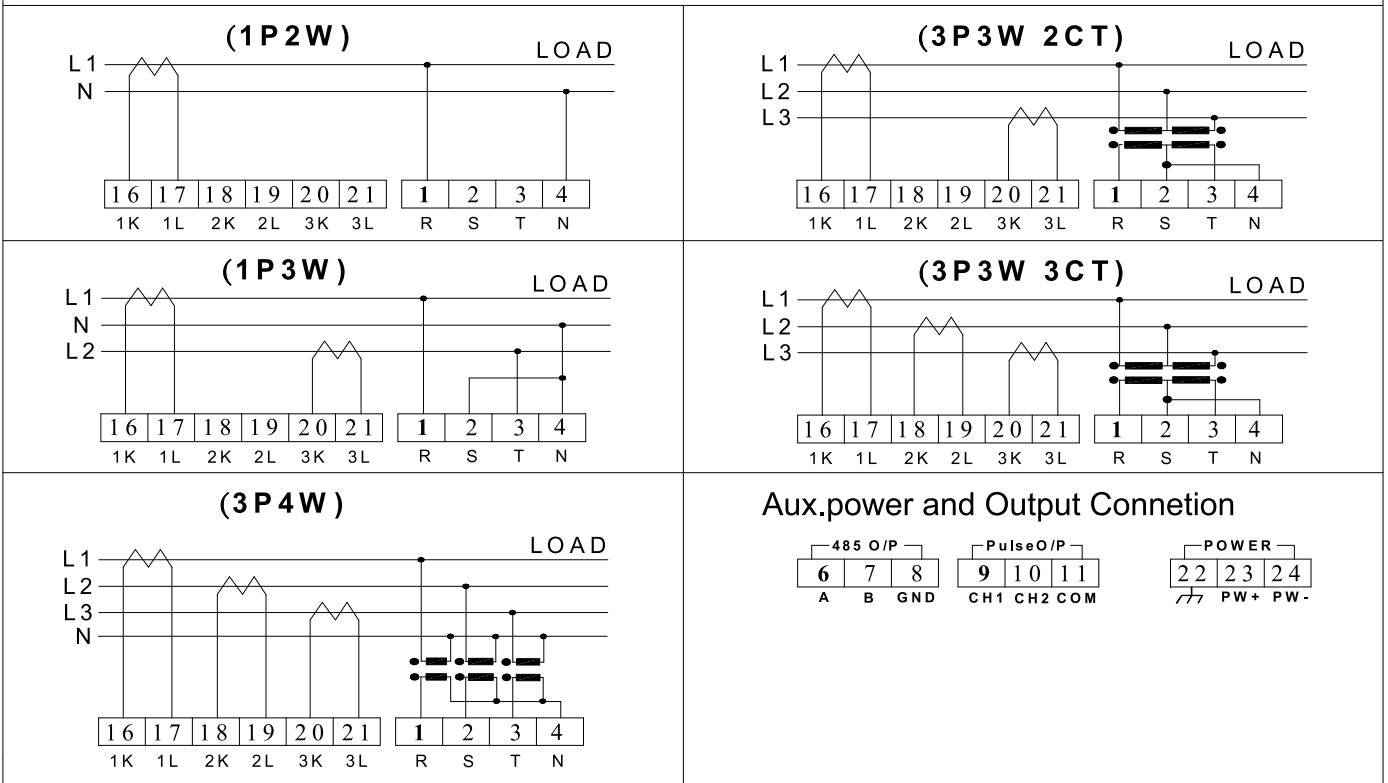
All Specifications are subject to change without prior notice.

TERMINALS

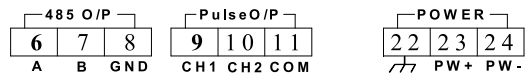


CONNECTION DIAGRAM

INPUT Voltage and Current



Aux. power and Output Connection



All Specifications are subject to change without prior notice.



G-17, Bharat Industrial Estate, T. J. Road, Sewree (W), Mumbai - 400 015. INDIA.
 Sales Direct.: 022-24156638, Tel. : 022-24124540, 24181649, Fax : 022-24149659
 Email : kusam_meco@vsnl.net, Website : www.kusamelectrical.com