

MMS DC Rated & Setting Digital Meter

KUSAM-MECO®

An ISO 9001:2008 Company

FEATURES

- Input: DC0-5V/1-5V/0-10V/0-20ma/4-20ma
- 2Wire Input (Loop Power Ext: DC24V)
- RS 485 MODBUS RTU
- 2 or 4 Alarm Setting Function
- Small size (Depth< 90mm)



MMS Code1 - Code1 - Code3 - Code4 - Code5

Code 1	Input Signal	Code 2	Alarm Setting	Code 3	Output 1	Code 4	Output 2	Code 5	Aux.Power
1	DC 0~10mA	2	2 Alarm Setting	1	DC 0~10mA	6	RS 485	1	AC 110/220V
2	DC 0~20mA	4	4 Alarm Setting	2	DC 0~20mA	0	None	2	AC 220V
3	DC 4~20mA 2Wire EXT:DC 24V	0	None	3	DC 4~20mA	Y	Other	3	DC 22~72V
4	DC 0~5V			4	DC 0~5V			6	AC/DC85~265V
5	DC 1~5V			5	DC 1~5V			Y	Other
6	DC 0~10V			6	DC 0~10V				
Y	Other			0	None				
				Y	Other				

SPECIFICATIONS:

INPUT:

Input Impedance : Voltage Input $\geq 30K\Omega$, Current Input $\leq 75\Omega$.

OUTPUT & DISPLAY:

DC Current: 0 – 20 mA DC

Load resistance drive: output drive 10 VDC maximum

Output	Load Resistance
0 – 10 mA :	1000 Ω
0 – 20 mA :	500 Ω
4 – 20 mA :	500 Ω

DC Voltage: 0 – 10 V DC

Load resistance drive: output drive 5 mA maximum

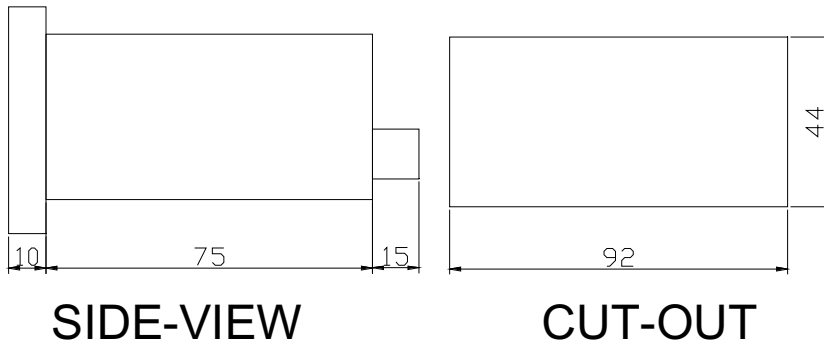
Output	Load Resistance
0 – 5 V :	1 k Ω
1 – 5 V :	1 K Ω
0 – 10 V :	2 k Ω

Output Response Time : ≤ 1 Sec. (programmable per 100ms/unit)
 Output Protection : Without Damage for Output Open or Short Circuit.
 Display Range : 0.56" High Brightness RED LED , 5 Digits, -19999 ~ 99999Counts
 Digital Output : RS-485 Output, 1200,2400,4800,9600,19200 Baud Rate, User Selectable.

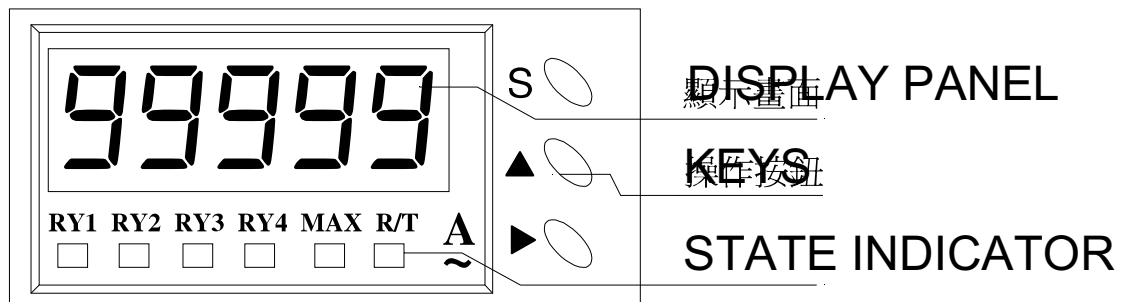
INSTALLATION & PERFORMANCE:

Accuracy : 0.05%FS + 2 Counts at 23°C \pm 3°C.
 Power Supply : Loop Power DC 24V \pm 10% ; \leq 30mA
 Short Circuit Current : \leq 30mA.
 Load Resistance : \leq 250 Ω .
 Input Resistance : Current Input $\leq 20\Omega$.
 Setting Function : 4 Alarm Setting, Setting Function(Hi or Lo) User Selectable.
 Setting Range : -19999 ~ 99999 Counts
 Dead Band : 0 ~ 9999 Counts User Selectable.
 Time Delay : 0 ~ 999 Sec. User Selectable.
 SPDT Capacity : AC 120V 3A , DC 30V 3A.
 Dielectric Strength : 2KV AC / Min Between Input / Power / Case.
 Impulse : 5 KV 1.2x50 uS, ANSI C37.90a / 1983.DIN IEC 255 – 4.
 Stability : \leq 0.2%/Year.
 Temperature Coefficient : \leq 60ppm / °C From 0 ~ 60°C ; \leq 50ppm/25°C \pm 5°C
 Operating Condition : -10°C ~ +55°C 20 ~ 95% RH Non-Condensed.
 Storage Condition : -40°C ~ +75°C 20 ~ 95% RH Non-Condensed.
 Power Supply : AC or DC \pm 20%, 50 / 60Hz.
 Consumed Power : \leq 3VA , PF = 1
 Outline Dimension : 1/8 DIN 96W X 48H X 100D mm.
 Mounting : Panel Flush Mounting.

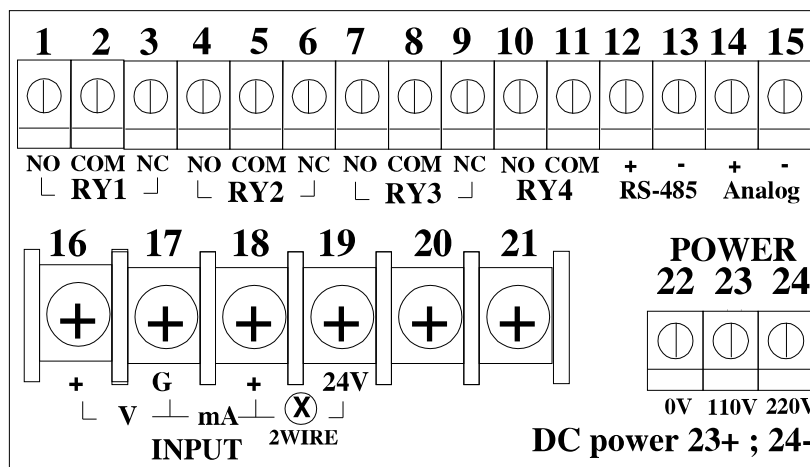
■ Dimension (mm)



■ Panel Keys



■ Connection Diagram



All Specifications are subject to change without prior notice.

KUSAM-MECO[®]
An ISO 9001:2008 Company

G-17, Bharat Industrial Estate, T. J. Road, Sewree (W), Mumbai - 400 015. INDIA.
Sales Direct.: 022-24156638, Tel. : 022-24124540, 24181649, Fax : 022-24149659
Email : kusam_meco@vsnl.net, Website : www.kusamelectrical.com