

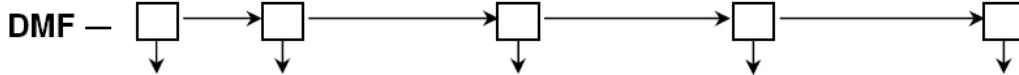


An ISO 9001:2008 Company

# Microprocessor AC Frequency & Setting Digital Meter

## Features:

- Output/Display Range User Selectable
- Dual Aux. Power 110/220V AC
- High Accuracy  
0.02%FS + 1 Count at 23°C±3°C.
- Analog or Digital RS-485 Output



Input Frequency		Input Range		Alarm Setting		Output Signal		Aux. Power	
A	50 HZ	A	± 1HZ	A	2 Alarm Setting	A	DC 0~10mA	A	AC 110/220V
B	60 HZ	B	± 2HZ			B	DC 0~20mA	C	DC 22~72V
		C	± 3HZ			C	DC 4~20mA	F	AC/DC85-265V
		D	± 5HZ			D	DC 0~5V		
		E	± 10HZ			E	DC 1~5V		
Y	Other	Y	Other	N	None	N	None	Y	Other

## SPECIFICATIONS:

### INPUT:

Input Range : 300 ~ 600V  
 Input Burden : 0.25VA, at 60Hz.  
 Input Voltage Over : Normal AC 110V, Voltage Over 500V Continuous : 1200V 10 Sec/Hour.

### OUTPUT & DISPLAY:

DC Current: 0 – 20 mA DC

Load resistance drive: output drive 10 VDC maximum

Output Load Resistance

0 – 10 mA : 1000 Ω  
 0 – 20 mA : 500 Ω  
 4 – 20 mA : 500 Ω

DC Voltage: 0 – 10 V DC

Load resistance drive: output drive 5 mA maximum

Output Load Resistance

0 – 5 V : 1 KΩ  
 1 – 5 V : 1 KΩ  
 0 – 10 V : 2 KΩ

Output Response Time : ≤1 Sec.

Output Protection : Without Damage for Output Open or Short Circuit.

Digital Output Load : RS-485 Output, 1200,2400,4800,9600,19200 Baud Rate, User Selectable.

Display Range : 0.56" Super Rate LED 4-1/2, 5 Digits, ±19999Counts. Display Range User Selectable.

## INSTALLATION & PERFORMANCE:

Accuracy : 0.02% FS + 1 Count at 23°C±3°C.

Setting Function : Dual Setting & Contact Points, Setting Function User Selectable.

Setting Range : ±19999 Counts User Selectable.

Dead Band : 0 ~ 9999 Counts User Selectable.

Time Delay : 0 ~ 99 Sec. User Selectable.

SPDT Capacity : AC 120V 5A, 250V 3A, DC 24V 3A.

Dielectric Strength : 2.6KV AC / Min between Input / Power / Case.

Impulse : 4 KV 1.2x50 uS, ANSI C37.90a / 1983.DIN IEC 255 – 4.

Stability : ≤0.2%/Year.

Temperature Coefficient : ≤100ppm / °C From 0 ~ 60°C.

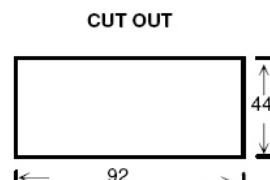
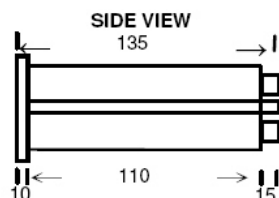
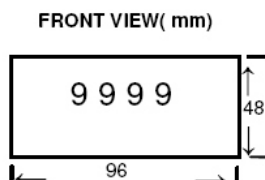
Operating Condition : -10°C ~ +55°C 20 ~ 95% RH Non-Condensed.

Storage Condition : -40°C ~ +75°C 20 ~ 95% RH Non-Condensed.

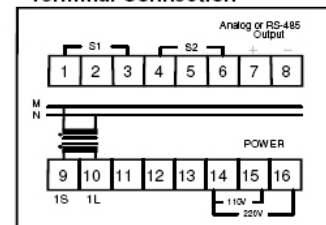
Power Supply : AC or DC ±20%, 50 / 60Hz.

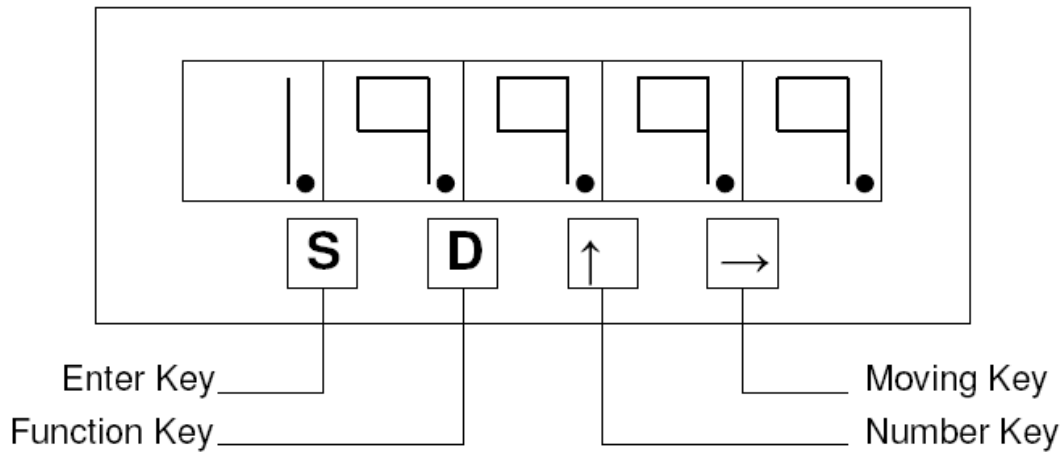
Outline Dimension : 1/8 DIN 96W X 48H X 135D mm.

Mounting : Panel Flush Mounting.



## Terminal Connection





The setting functions divided into two categories :

- (A) Input/Output/Display Functions
- (B) Contact Point S1/S2 Setting

Procedures :

- (1) Press "S" key, display "00" blinking
- (2) Press "D" key, enter "01" ~ "09" functions
- (3) Press "→" key, enter "51" ~ "59" to setting directly after press
- (4) Press "→" key, to change position.
- (5) Press "↑" key, to change number.

Repeat procedure (1)~(5).

Press "D" and "→" at the same time for QUIT.

PRESS "D" TO SAVE SETTING VALUE AFTER "09".

(A) Input/Output/Display Functions "06" ~ "09" :

- 06 Digital output Baud Rate  
1200, 2400, 4800, 9600, 19200.  
\* Display 9200 means 19200.
- 07 Address, 01 ~ 99(PC or Host Console Address=0)  
32 devices maximum for RS-485 format.
- 08 Output vs Display rating.  
Step 1 : Press "D" setting output FULL SCALE value.  
Step 2 : Press "D" again setting output ZERO value.
- 09 Special function : Save, Reset, Uni or Bi Directions etc..  
**DISPLAY "99" PRESS "D" TO SAVE "06" ~ "09" DATA.**  
(24) Input  $\leq 0$  display =0, Uni-Direction, press "D" to save.  
(25) Cancel (24) function, Bi-Direction, press "D" to save.

(B) Contact Point S1/S2 Setting "51" ~ "59" :

51	S1 Setting	Setting Value	S1	S2	0=Lo, 1=Hi,
52	S1 Dead Band	0 ~ 9999.	0	0	Lo-Lo
53	S1 Time Delay	0 ~ 99 Sec.	1	0	Hi-Lo
54	S2 Setting	Same as 51.	0	1	Lo-Hi
55	S2 Dead Band	Same as 52.	1	1	Hi-Hi
56	S2 Time Delay	Same as 53.			
57	S1, S2 setting condition.				
58	Start Delay Time 0~999 sec., input from zero, no alarming motion within the time				
59	Special Function. Same as 09.				

All Specifications are subject to change without prior notice.



G-17, Bharat Industrial Estate, T. J. Road, Sewree (W), Mumbai - 400 015. INDIA.  
**Sales Direct.:** 022-24156638, **Tel. :** 022-24124540, 24181649, **Fax :** 022-24149659  
**Email :** kusam\_meco@vsnl.net, **Website :** www.kusamelectrical.com